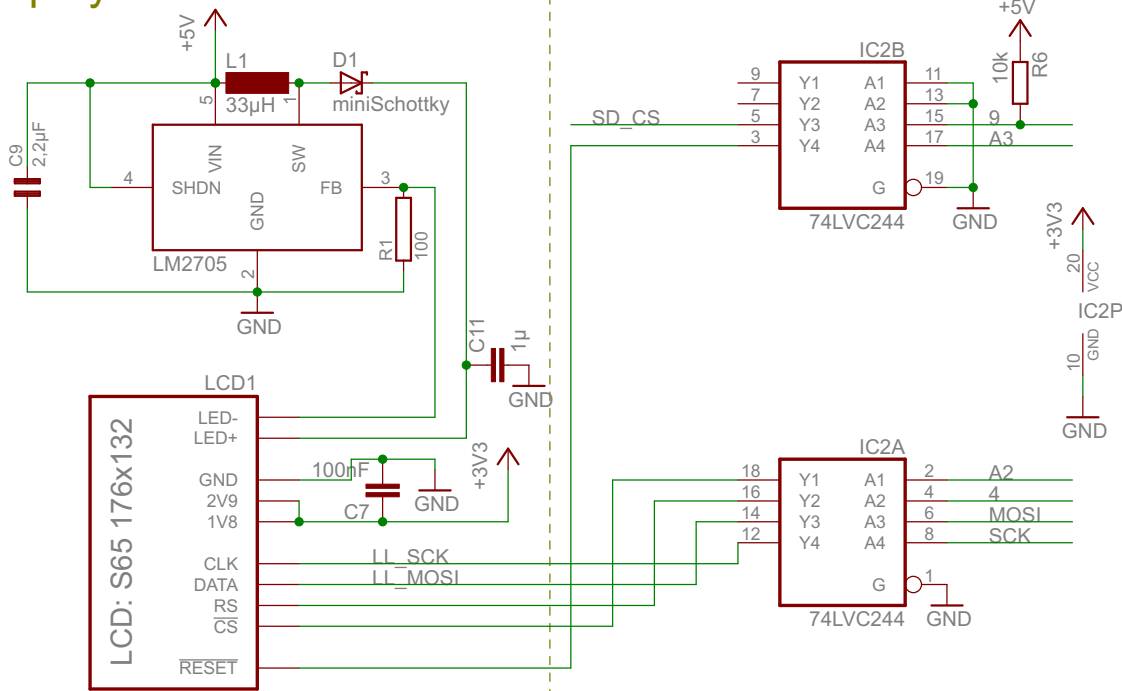
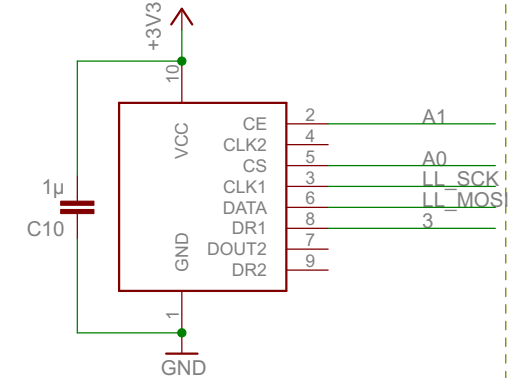
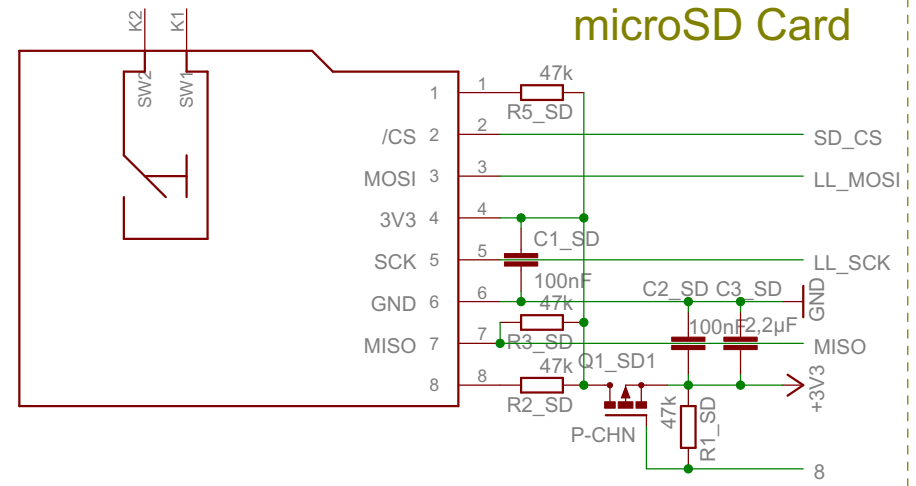


# Display



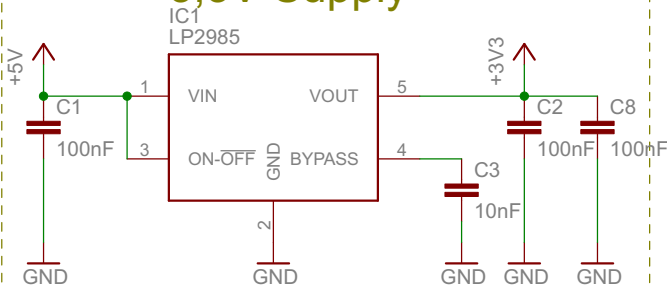
# microSD Card



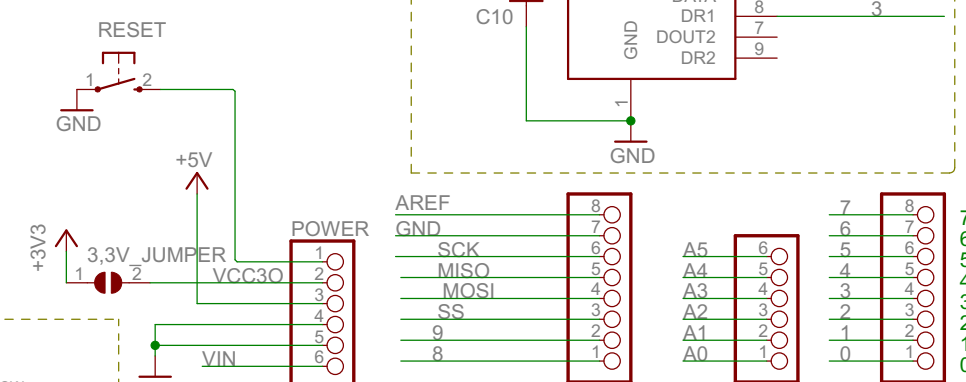
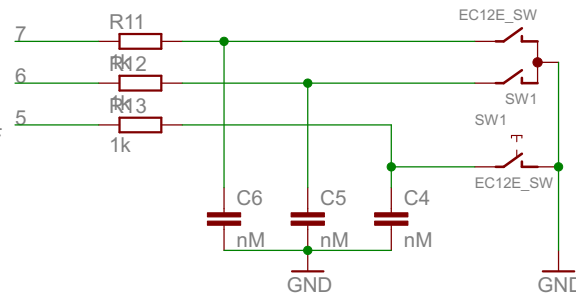
Released under the Creative Commons Attribution Share-Alike 3.0 License  
<http://creativecommons.org/licenses/by-sa/3.0/>

Designed by Stephan Watterott (Watterott electronic)

# 3,3V Supply



# Rotary Encoder



[www.watterott.net](http://www.watterott.net)

TITLE: S65-Shield\_v1.1

Document Number:

REV:

Date: 13.12.2009 22:10:47

Sheet: 1/1