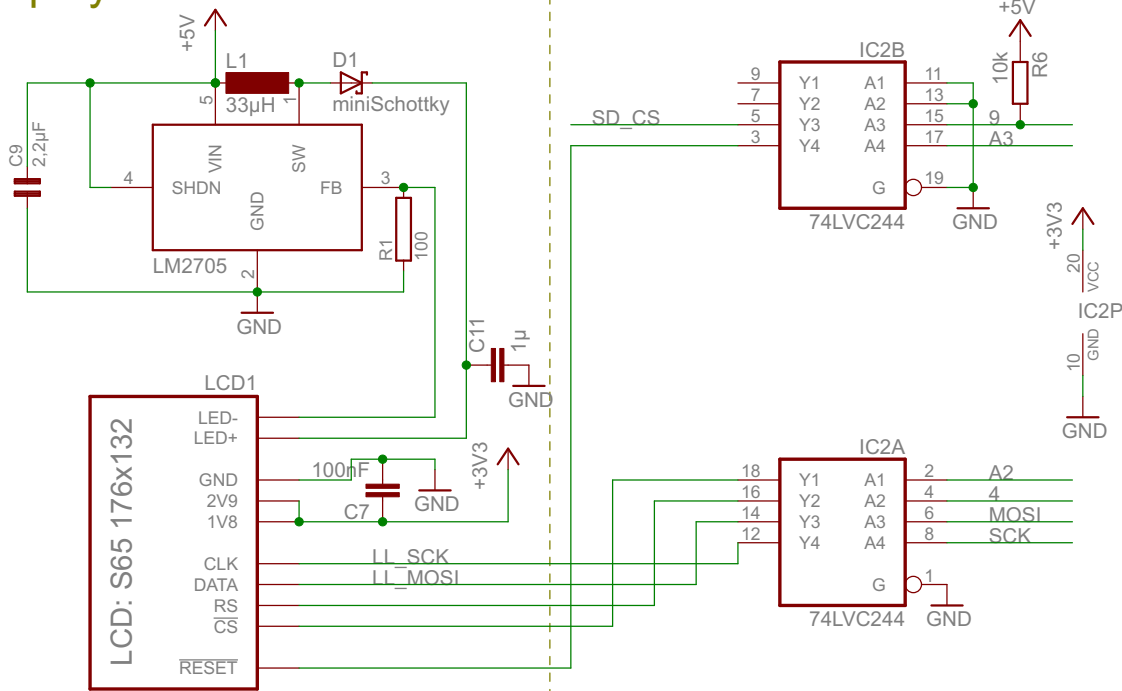
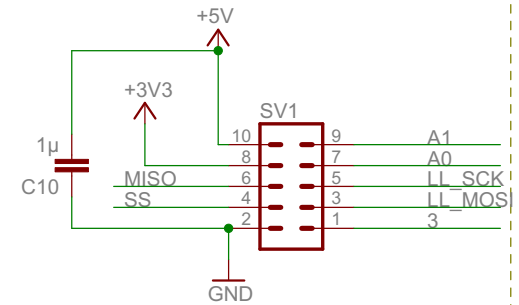
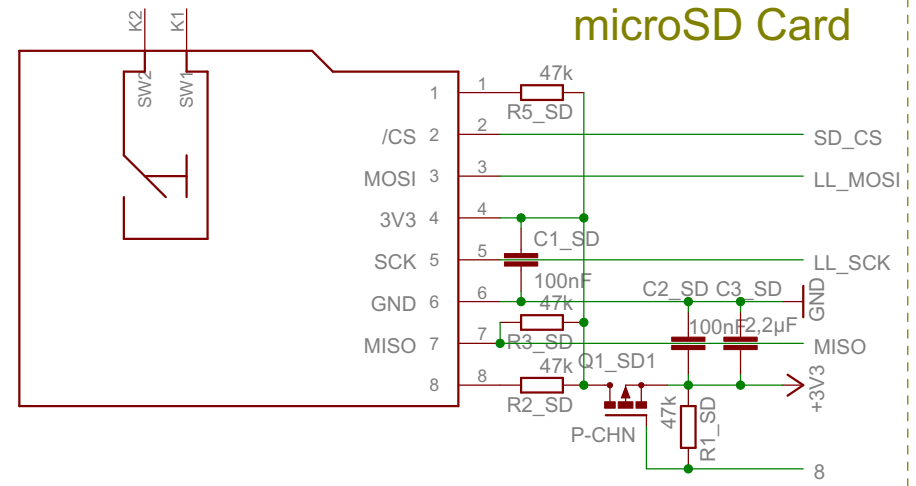


Display



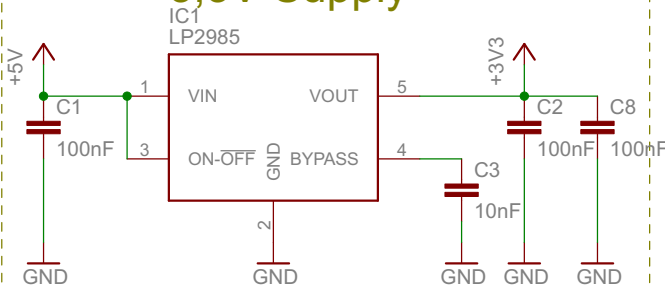
microSD Card



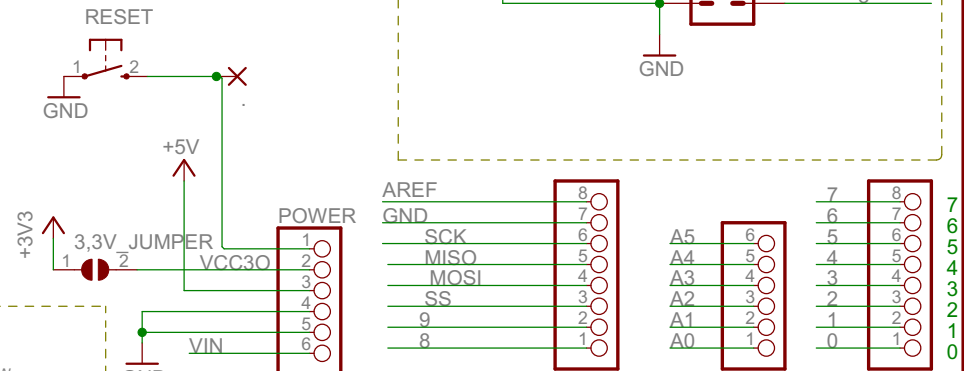
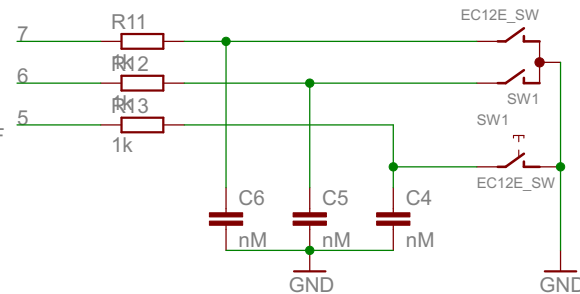
Released under the Creative Commons Attribution Share-Alike 3.0 License
<http://creativecommons.org/licenses/by-sa/3.0/>

Designed by Stephan Watterott (Watterott electronic)

3,3V Supply



Rotary Encoder



www.watterott.net

TITLE: S65-Shield_v1.2

Document Number:

REV:

Date: 13.12.2009 22:10:11

Sheet: 1/1